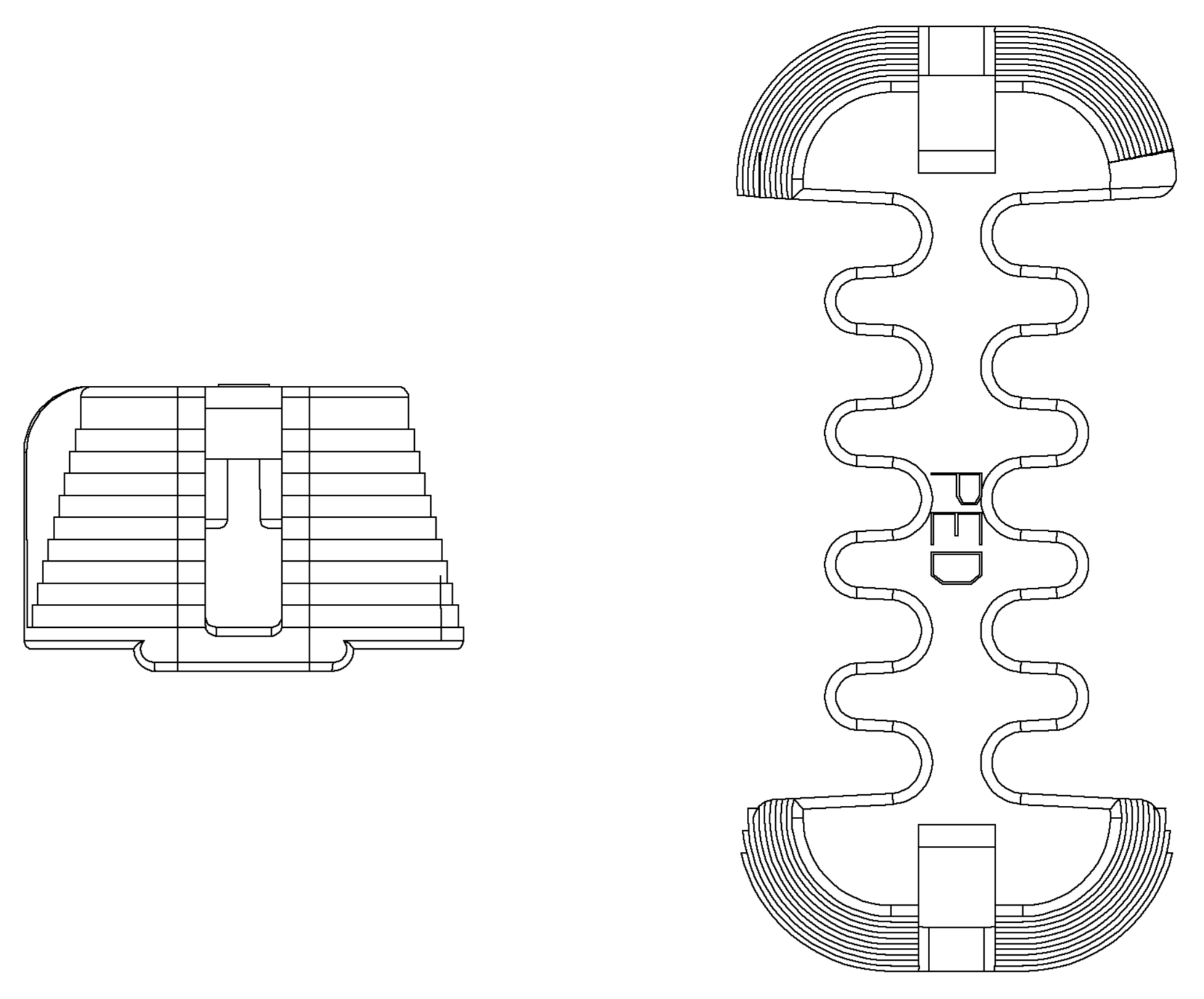
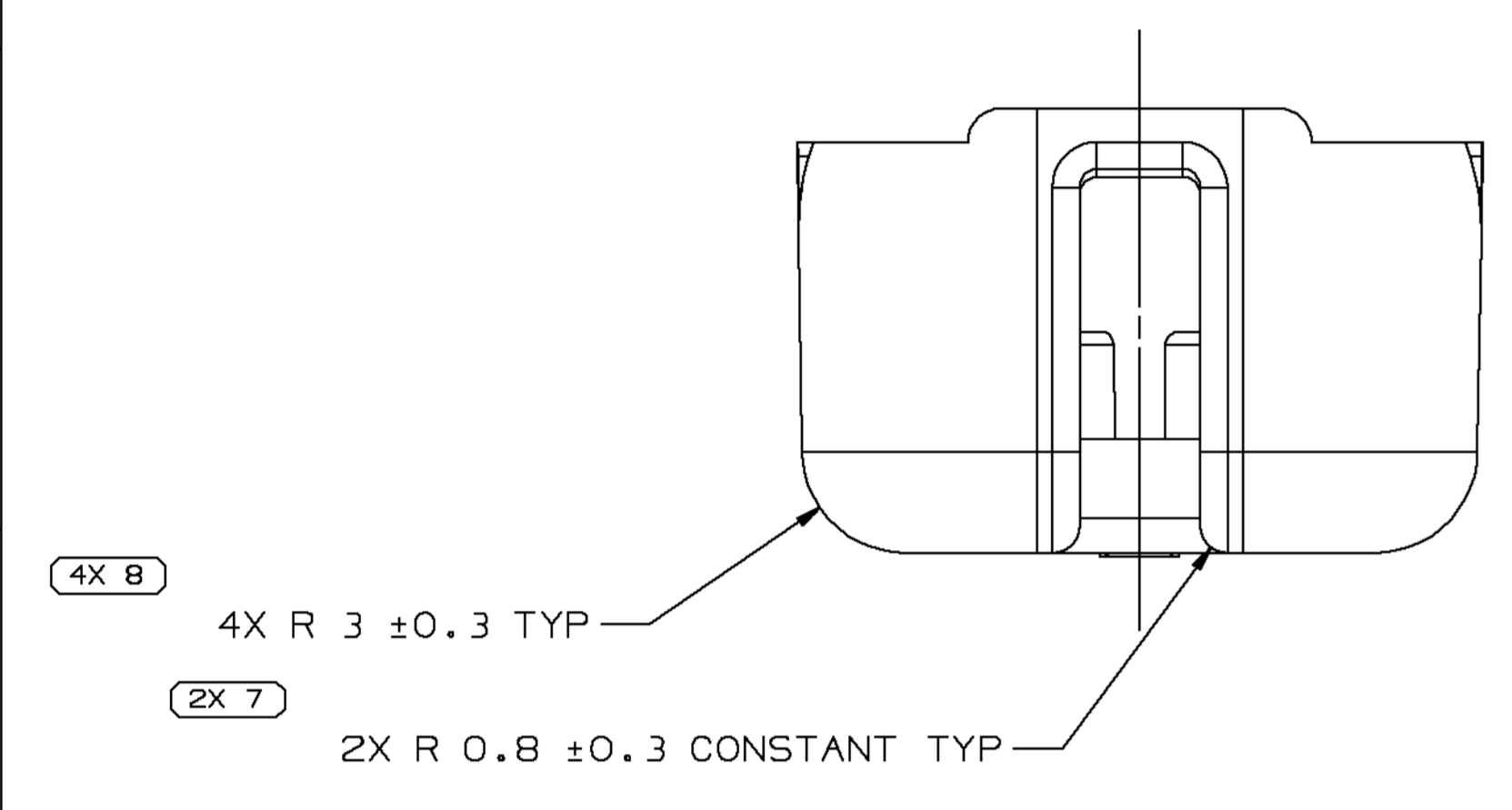


SYMBOL DEFINITION		MISSING SYMBOLS	
A DIMENSION WITHOUT AN INSPECTION REPORT SYMBOL DOES NOT REQUIRE INSPECTION. IT MAY BE CONTROLLED ON THE INDIVIDUAL COMPONENT DRAWING.	TOTAL NO OF INSPECTIONS REQUIRED	NO MISSING SYMBOL NUMBER	
	31		
	LAST NO. USED		
	9		

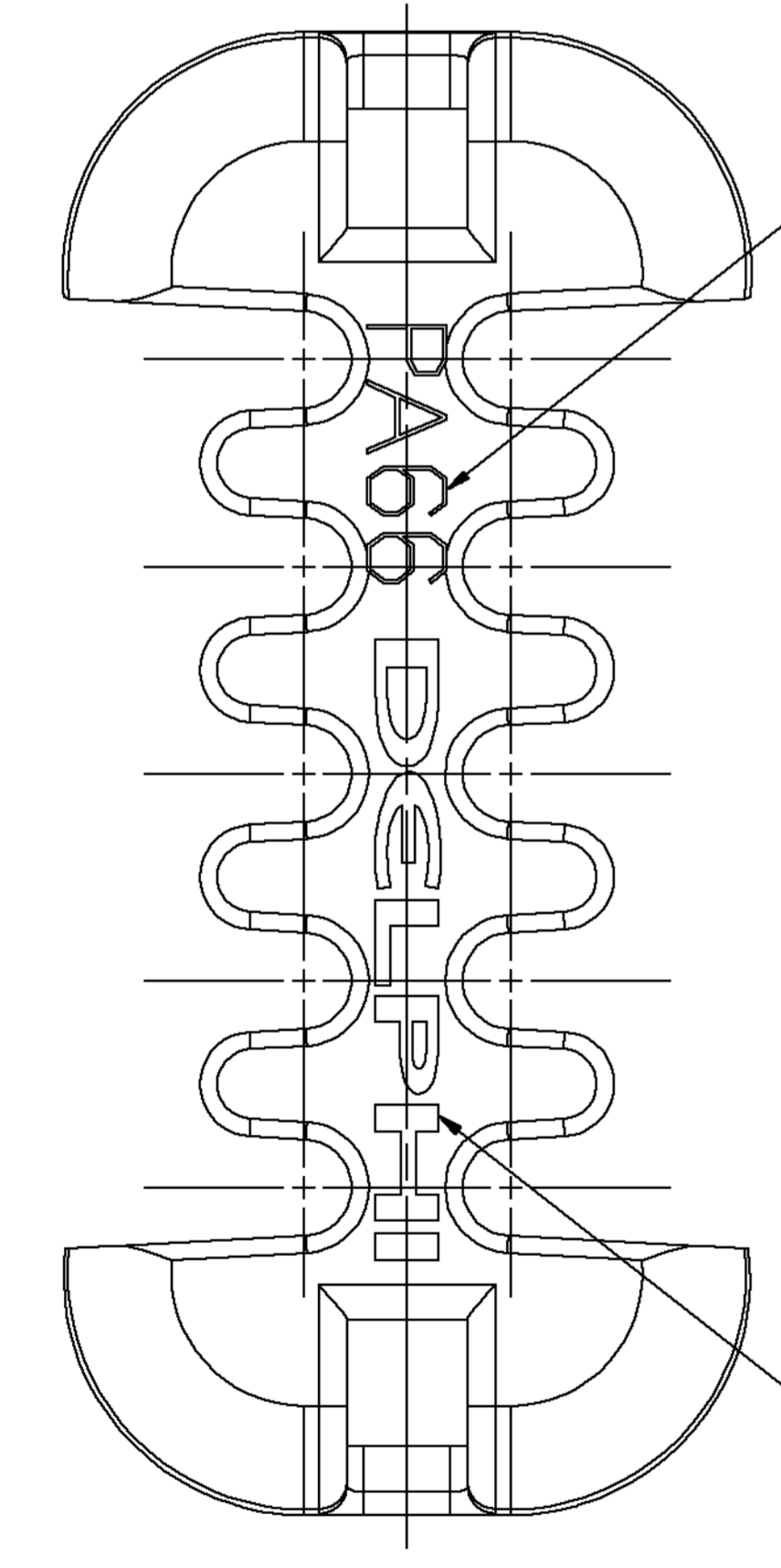
DWG STATUS				REVISION HISTORY				AUTH					
DATE	STG	REV	CHG	N/P	ZONE								
19JND1	R	001	-	-		CLEARED REV COLUMN AND ALL PARTS - REDRAWN TO PD				211147	LOA	001	GM
21N001	R	002	-	-		ALL PARTS - ADDED MATERIAL RECYCLING STAMP, REVISED OPTIONAL CONSTRUCTION & REVISED MATERIAL SPEC				216066	JGR	EOV	GM



OPTIONAL CONSTRUCTION

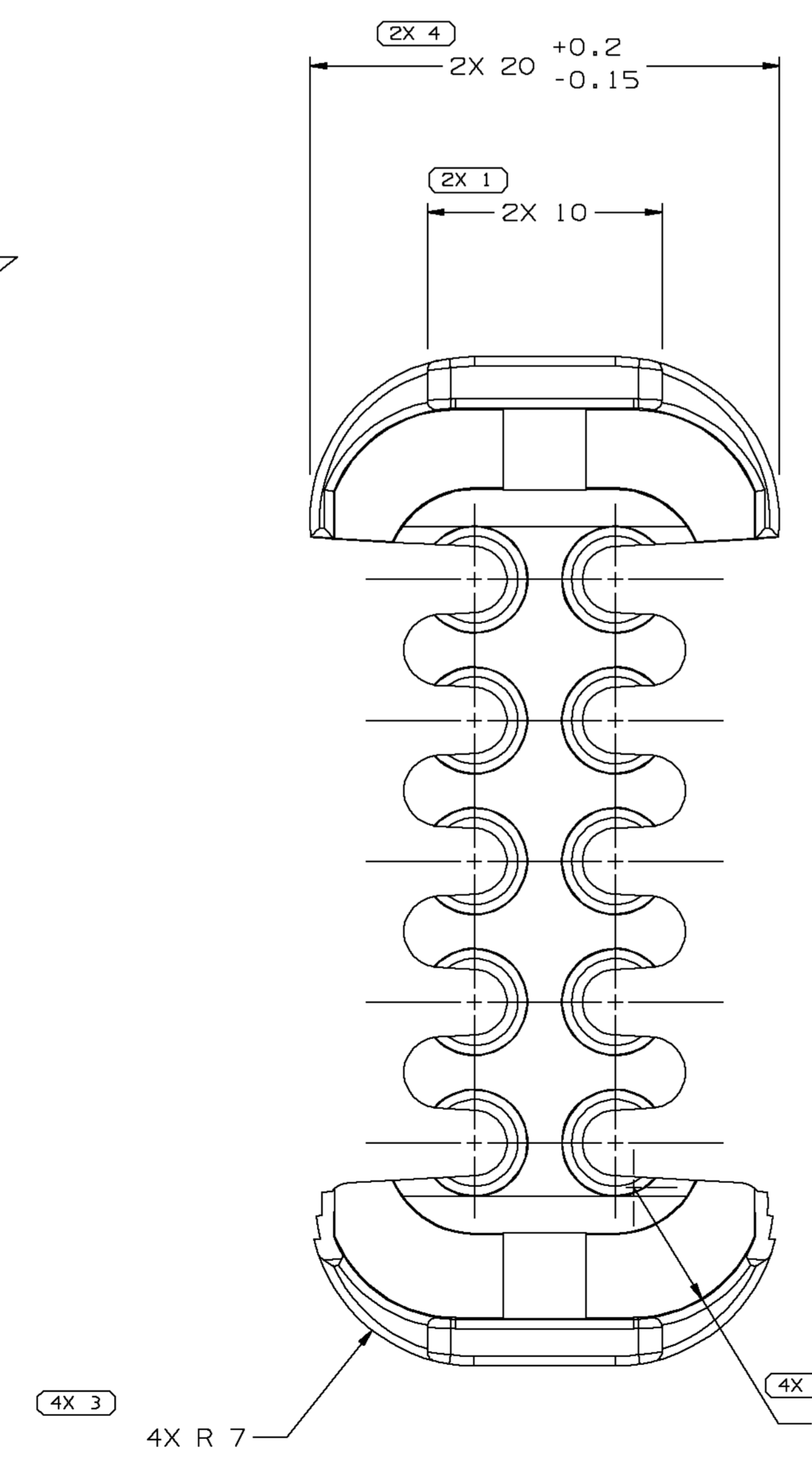


RAISED CHARACTERS AS SHOWN TO BE LOCATED ON ANY EXTERIOR SURFACE VISIBLE AT FINAL ASSEMBLY.

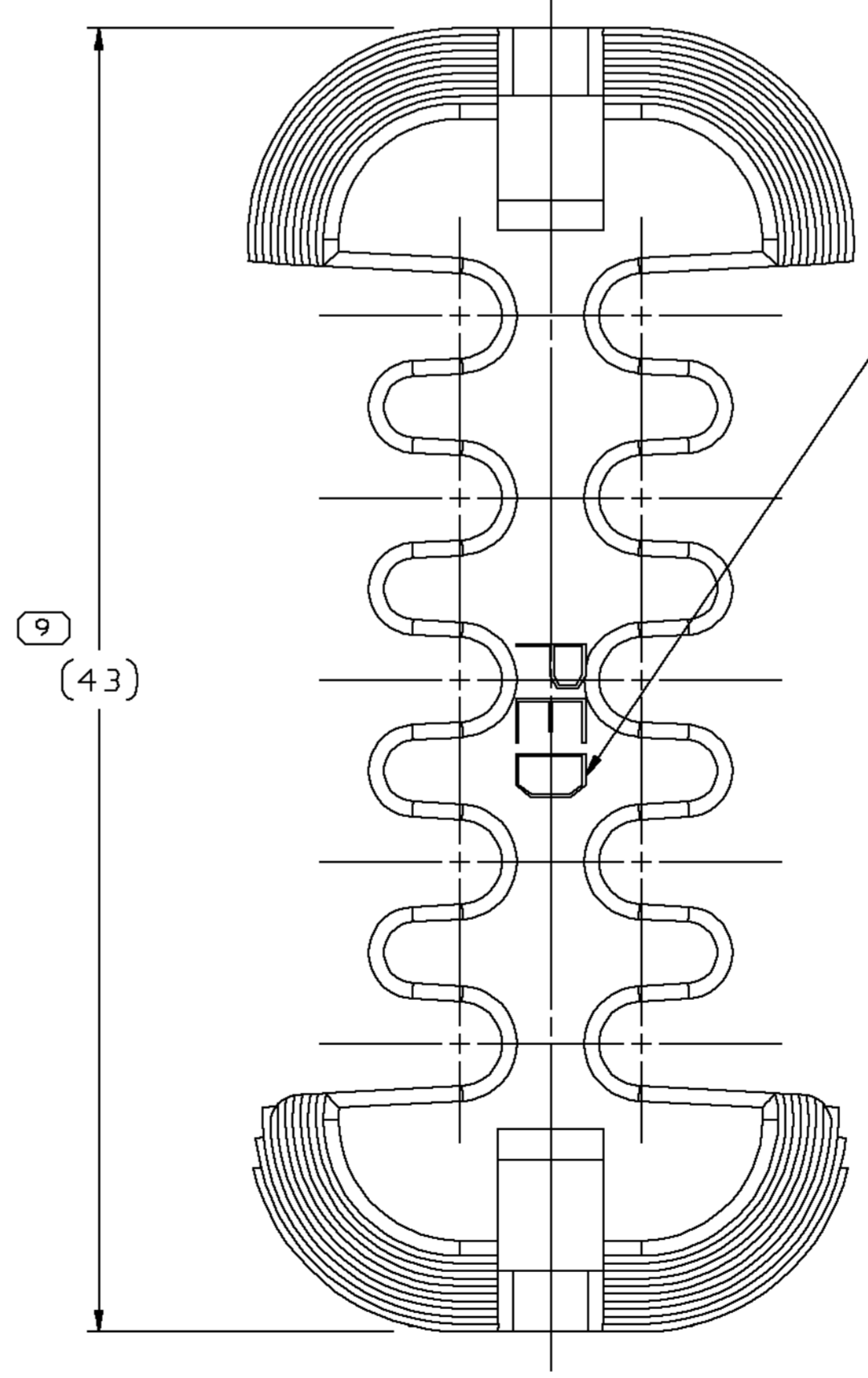


RAISED DELPHI CORPORATE BRAND TO BE LOCATED ON ANY EXTERIOR SURFACE VISIBLE AT FINAL ASSEMBLY.

PREFERRED CONSTRUCTION



RAISED CHARACTERS AS SHOWN TO BE LOCATED ON ANY EXTERIOR SURFACE VISIBLE AT FINAL ASSEMBLY.



NOTES

- UNLESS OTHERWISE SPECIFIED AND/OR INDICATED: DIMENSIONS ARE TO FACE OF VIEW SHOWN AND AUTOMATICALLY ROUNDED BY COMPUTER FOR INSPECTION (SEE MATH MODEL FOR PRECISE DIMENSIONS); FOR ALL OTHER DIMENSIONS NOT SHOWN BUT REQUIRED FOR TOOL BUILD, SEE MATH MODEL FOR PRECISE TOOL PATH DATA. LOCKING FEATURES ARE IDENTICAL.
- THIS PART IS NOT CONTROLLED FOR AUTOMATIC FEEDING.
- MATING COMPONENTS OR EQUIVALENT: CONNECTORS 12045808, 12045809, 12052189, 12052190 & 12052934

PART NO	REV	N/P	STATUS	MATERIAL SPECIFICATION AND COLOR
12176336	002			M3592010 PA66 IM HS BRN
12124264	003			M3592025 PA66 IM HS GRA MD
12077753	008			M3592001 PA66 IM HS BLK
12045810	008			M3592008-PA66 IM HS BLU

DIMENSIONAL RANGE (MM)		CHART E1	
FROM	TO	INDICATE	INDICATE
0	> 20	0	0
> 20	> 30	1	1
> 30	> 70	2	2
> 70	> 100	3	3
> 100	> 150	4	4
> 150	> 200	5	5
> 200	> 250	6	6
> 250	> 300	7	7
> 300	> 400	8	8

DELPHI
Automotive Systems

MATERIAL SPEC
SEE CHART

SUBSTANCES OF CONCERN AND RECYCLED CONTENT PER DELPHI-A 10949001

PART DRAWING

CODE NUMBER: 6900,6901
DWG DATE: 12JABB
SCALE: 5:1
OC SPEC: STYLE
VOLUME cm³: 2.068

PART GEOMETRY: 3D SOLID
UNLESS OTHERWISE SPECIFIED: THIS DOCUMENT IS IN ACCORDANCE WITH ASME Y14.5M - 1994 AS AMENDED BY THE GM GLOBAL DIMENSIONING AND TOLERANCING ADDENDUM - 1997. ALL GEOMETRIC TOLERANCES AND RELATED DATUMS APPLY RFS. RULE #1 (PERFECT FORM AT MMC) DOES NOT APPLY WHEN RELATIONSHIP BETWEEN FEATURES IS ESTABLISHED BY ORIENTATION OR LOCATION TOLERANCES. SEPARATE POSITION CALLOUTS MAY BE GAGED SEPARATELY REGARDLESS OF DATUM REFERENCES.

COPY OF MATH DATA
DO NOT SCALE

METRIC
UNLESS OTHERWISE SPECIFIED, ALL DIMENSIONS ARE IN MILLIMETERS

THIRD ANGLE PROJECTION

DRAWING NAME: TAXI TPA M/P 150

SHEET NUMBER: 1 OF 1
DRAWING NUMBER: 12077754
DWG STATUS: R 002
SIZE: A0